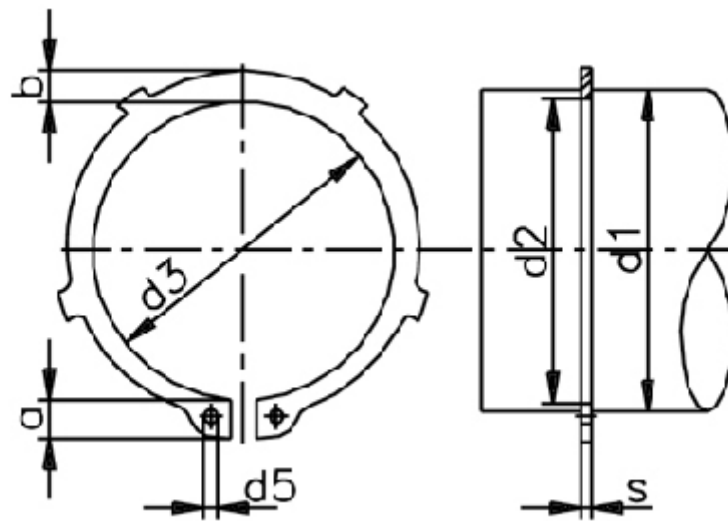


Article number: 0107079

Description: Retaining ring AK 65 DIN 983

Measures



a max	= 10.2	FN kN	= 49.80	Number of serrations	= 8
AN mm ²	= 299.0	FRg kN	= 22.7	s	= 2.50
b	= 6.2	FR kN	= 135.0	t	= 1.50
d1	= 65	g	= 2.5	tol	= -0.30
d2	= 62.0	K kN-mm	= 245.0	tol	= -0.07
d3	= 60.8	m min	= 2.65	tol	= +0,46-1,10
d5 min	= 3.0	n abl x 1000	= 6	Tong	= ZGA-3
Description	= AK 65	Nominal drive	= 4.5	Weight kg/1000	= 21.70